

Translation of the original Operating manual

WAGNER

WAGNER

WAGNER

Tribo Automatic Powder Spray Gun

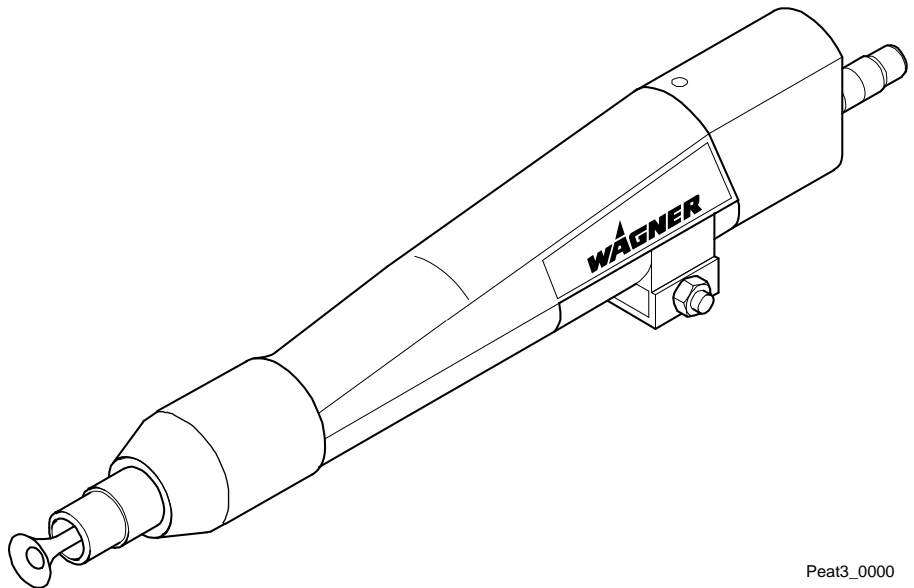
STOP DANGER



High-Voltage!
Turn power off
before servicing!

! CAUTION

Read rules for safe
operation and
instructions
carefully!



Peat3_0000

CE
351962

PEA-T3



WAGNER

WAGNER

WAGNER

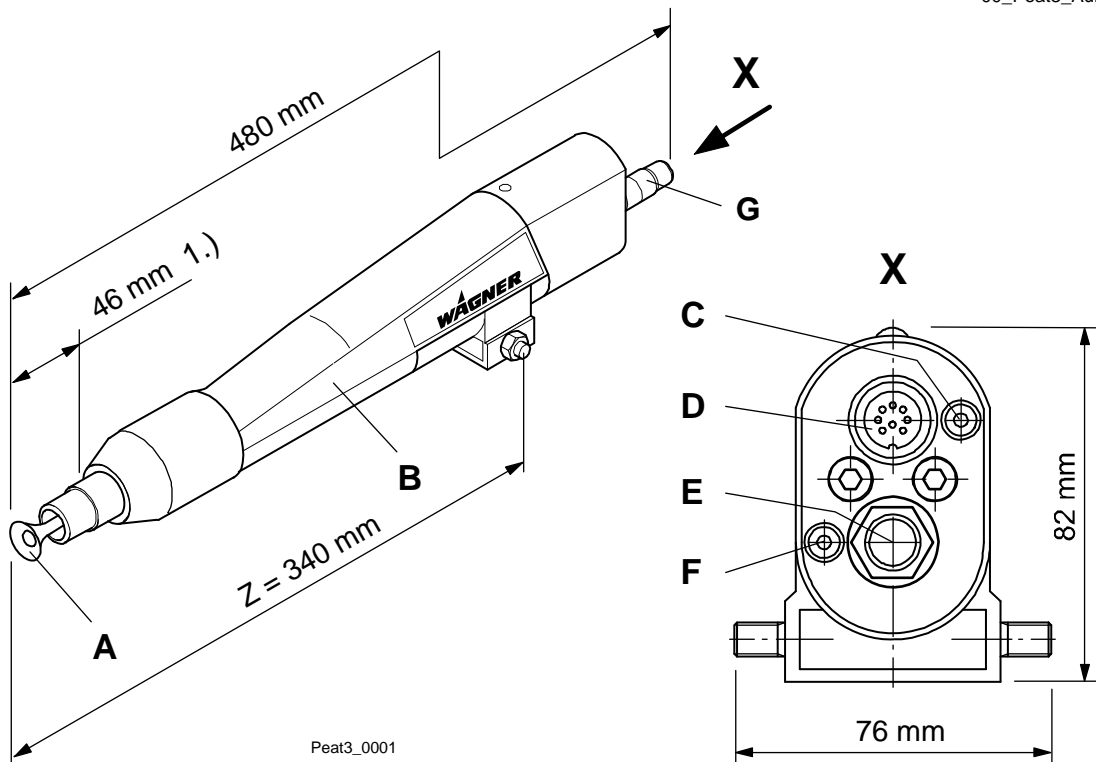
WAGNER

WAGNER

PEA-T3 powder spray gun

Article No. 351018

00_Peat3_Aufbau.doc



- | | | | |
|---|--------------------------|---|--|
| A | Deflector cone | E | Powder hose connection |
| B | Gun body | F | Tribo air connection |
| C | Atomizing air connection | Z | Maximal assembly dimension on the reciprocator |
| D | Electrical connection | | |

1.) Length for installation dimension **Z** calculation when utilizing finger nozzles

The finger nozzles are described in Chapter [2.1](#).

The **PEA-T3** spray gun is used for industrial powder coating in **automatic plants** and can be operated with **individual control units** or with **control cabinet modules**, which have a Tribo current display.

The **PEA-T3** Tribo manual spray gun is used for powders suitable for **friction loading**.



Caution

The user must ensure, that the **PEA-T3** gun is only connected to **Wagner** equipment!
High ambient temperatures must be avoided; in particular, the hoses **must** not be routed through factory areas exposed to direct sunlight!

Table of contents	Page
1. Safety regulations	5
1.1 Safety hints.....	5
1.2 EC Declaration of conformity.....	6
2. Preparing the spray gun	7
2.1 Select the suitable nozzle system	7
2.2 Connecting the spray gun	9
2.3 Grounding.....	10
3. Working with the spray guns	11
3.1 Optimize the spray pattern	11
3.2 Switching off the spray gun	12
3.3 Carrying out a change of color	13
4. Maintenance and cleaning.....	14
4.1 Replacing the spray gun.....	14
4.2 Cleaning the spray gun and replace the wear parts.....	15
4.2.1 Replacing the charging body.....	15
4.2.2 Replacing the air manifold.....	16
4.3 Disposal.....	16
5. Rectification of malfunctions	17
6. Technical data	18
7. Warranty.....	19
8. Scope of delivery and spare parts lists.....	20
8.1 How to order.....	20
8.2 Scope of delivery and spare parts list of the PEA-T3 automatic gun	21
8.3 Spare parts list of the charging body	22
9. Accessories	23
9.1 Electrical cables and hoses.....	23
9.2 Spray gun mounting and fastening.....	23
9.3 Nozzle systems	24
9.3.1 Fan nozzle and deflector cone	24
9.3.2 Wide fan spray nozzle	24
9.3.3 90° Angle nozzle	24
9.3.4 WA 30 T3 Angle adapter	25
9.3.5 Finger nozzles	26

This manual contains information and hints for the service, repair and maintenance of the equipment. The user must obey all the rules of operation found in this manual; failure to do so will render the warranty invalid.

Wagner powder systems are designed to meet the most stringent safety requirements. They can be operated in compliance with generally applicable safety codes and applicable national safety regulations.

Please pay particular attention to the parts marked by the following symbols. Follow the instructions exactly, in the interests of both your own safety and the correct functioning of the unit.

**Warning**

This symbol draws attention to the fact that if the operating instructions, working instructions, prescribed working sequences etc. are not followed exactly; this can lead to injury or even fatal accidents.

**Caution**

This symbol indicates that failure to follow the operating instructions, working instructions, prescribed working sequences etc. exactly can lead to material damage.

**Hint**

This symbol draws your attention to useful additional information and tips. Failure to observe these instructions can cause malfunctions.

1. Safety regulations

1.1 Safety hints

010101_.doc



Warning

This equipment can be dangerous if it is not operated in accordance with this operating manual!

There might be additional regulations to be observed, put into effect by governmental, state or other official agencies or local security (fire) departments!



Warning

Under no circumstance may persons with a cardiac pacemaker come close to the area between the tip of the spray gun and the work piece to be coated!

The following rules must be observed in order to ensure a safe and efficient use of the equipment:

- The user has to observe particularly the safety guidelines of the VdS, the local professional and security institutions.
- Trained and qualified personnel may only operate the electrostatic coating equipment.
- The spray gun may only be operated in powder coating booths or on powder coating stands that are equipped with a ventilation system.
- The user has to make sure, that the average powder/air concentration does not exceed 50% of the LEL (maximum allowed concentration of powder in air). If a reliable LEL value is not available, the average powder/air concentration may not exceed 10 g/m³.
- Over sprayed powder must be reliably collected.
- Adhere to the instructions given by the manufacturers and to the prevalent local laws on the environment when disposing of waste coating powder.
- The main power connection for operation of the Wagner powder equipment **must** be electrically interlocked with the exhaust system of the powder coating booth.
- In the event of faults or defects, repair work is to be performed at the user's discretion.
- The user must conduct periodic checks of the powder spray equipment (at least every year) with regard to explosion-protection.
- Repairs may only be carried out by trained technicians and may never be carried out in an explosion hazardous area. Protective measures against explosions must still be installed.
- The work area **must** have an electrostatically conductive floor (measured in accordance with EN 1081).
- All conductive parts in the work area **must** be electrostatically grounded (work area = 1 m around every spray location or opening in the booth).
- All persons inside the work area **must** wear electrostatically conductive footwear.
- Spray guns should be operated with bare hands! If gloves are used they **must** be made of conductive material.
- **Guideline 94/9/EG:** The device is suited for the applications it was designed for, even in explosion-hazard areas.

- **Wear suitable work clothing**
- **Use breathing protection or a visor for work which produces powder and when developing solvent steams:**

Avoid health dangers by inhalation and skin contacts of solvent steams and lacquer aerosols; Cornea injuries by splashes in the eye.

- **Check the equipment for damage**

Before operating the system, check if slightly damaged parts still function correctly. Check whether the moving parts operate properly, whether they jam and whether parts are damaged.

Damaged parts should be repaired or replaced by a Wagner customer service.



Warning

For your own safety, use only accessories and equipment listed in the operating manual. The use of individual parts other than those recommended in the operating manual may create a hazard to personal safety.

Use only original Wagner replacement parts!

Alteration or repair of Wagner original spare parts may cause fatal accidents or explosions in the coating system!

1.2 EC Declaration of conformity



Wagner hereby declares that the unit described in these operating instructions has been designed and manufactured according to the provisions of EU Directives 98/37/EG, 94/9/EG, 73/23 EWG and 89/336 EWG.

The following **European standards** were applied:

EN 12100-1/-2	EN 50281-1-1/-1-2	EN 61000-6-1
EN 61000-6-2	EN 61000-6-3	EN 60204-1
EN 50053-2	EN 50050	EN 50177

The following **German standards** and/or Guidelines were applied:

BGI 764

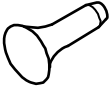
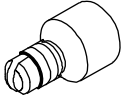
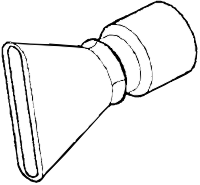
There is an **EC Declaration of Conformity** with the product. This can be ordered again if necessary from your WAGNER dealer by giving details of the product and serial number involved.

The number of the EC Declaration of Conformity is **351962**.

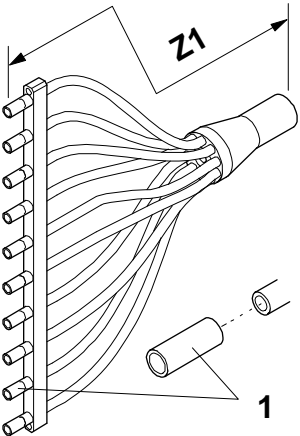

2. Preparing the spray gun

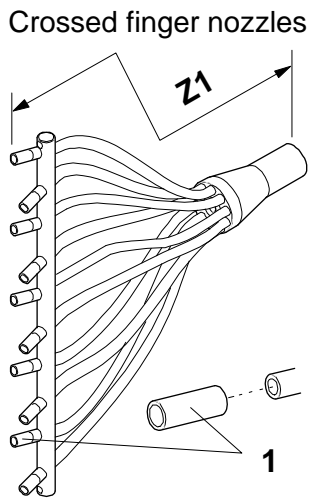
2.1 Select the suitable nozzle system

0201_Duesenauswahl_tribo.doc

Nozzle	Overview Application	Spray pattern
Deflector cone 	<ul style="list-style-type: none"> • Wire goods • Grid designs 	Oval powder cloud: Size is dependent on the deflector cone diameter. For powder quantities from: 50 ... 300 g/min
Fan spray nozzle 	Difficult work pieces: <ul style="list-style-type: none"> • Undercuts • Profiles 	Widely spread flat powder cloud. For powder quantities: from 50 ... 150 g/min
Wide fan spray nozzle 	Difficult work pieces: <ul style="list-style-type: none"> • Undercuts • Profiles 	Widely spread flat powder cloud. For powder quantities: from 100 ... 250 g/min

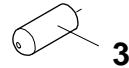
0201_Duesenauswahl_finger.doc

Nozzle	Overview Application	Spray pattern
Finger nozzles 	Flat surfaces <ul style="list-style-type: none"> • for uniform coating thickness 	Directed spray with: the standard nozzle 1 or powder shower 2  For powder quantities from: 100 ... 200 g/min



Complicated profiles
 • for uniform coating thickness

Directed spray with:
 the standard nozzle **1**
 or
 powder shower **3**



For powder quantities from:
 100 ... 200 g/min

Note that the installation dimensions **Z** (as described on page 2) changes when using finger nozzles. The finger nozzle has a length of: **Z1 = 315 mm**.

The following result applies to the **PEA-T3**: $\underline{Z} = 340 - 46 + Z1 = 294 + 315 = \underline{609 \text{ mm}}$

Article numbers and other information on nozzle systems are to found in chapter Fehler! Verweisquelle konnte nicht gefunden werden. "[Finger nozzles](#)".

2.2 Connecting the spray gun

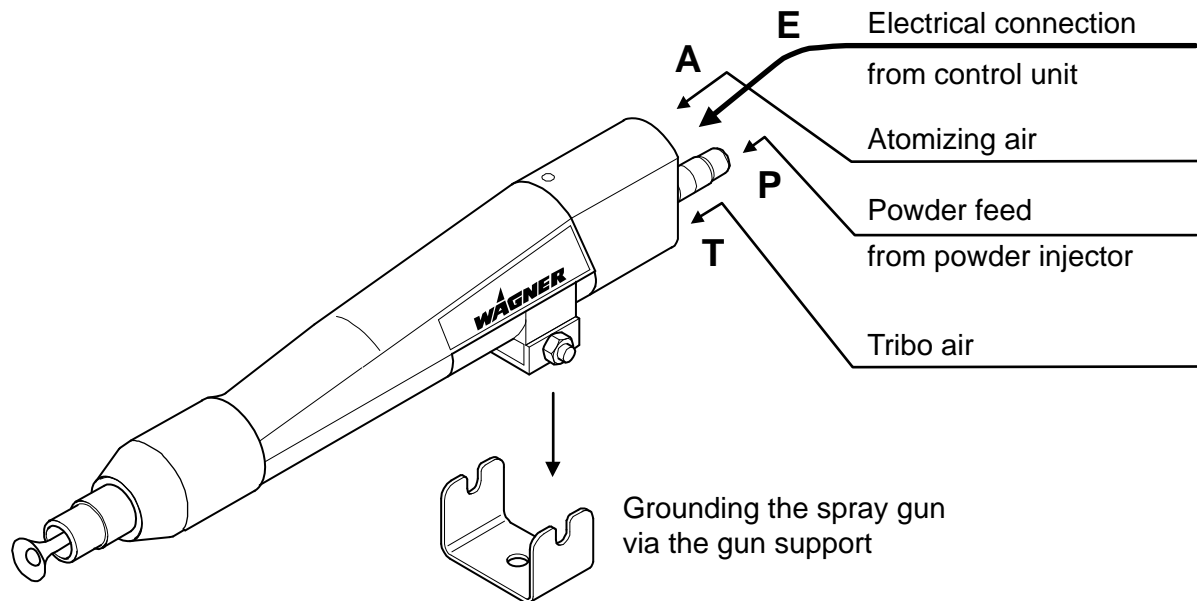
Before you commence connecting the gun, switch off the powder feed. For information on this activity refer to the related operating instructions for the control units and control modules.



Hint

Use the parts listed in chapter [9 "Accessories"](#) for connecting and fastening the spray gun.

The spacing between the spray guns when fitted must be at least 300 mm.



- Mount the spray gun on the hanger and secure both, for example on the gun holder of the reciprocator. If an oscillator is being used, the spray gun must be fixed with a clamping element (see accessories).
- Connect the spray gun to the Tribo current measuring or display module with the electrical cable **E**.
- Connect the powder feed hose **P** to the spray gun.
- Connect the hose for Tribo air **T** and the hose for atomizing air **A** to the spray gun.



Hint

By using a Wagner **PI-F1** powder injector and a suitable control unit, it is possible to blow out or flush the spray gun automatically each time before it is switched off.

2.3 Grounding

For safety reasons, the **spray gun must** be properly grounded. This occurs through the gun mounting.

0203_ .doc

Good grounding of the **work piece** is also necessary for optimum powder coating.

A poorly grounded work piece causes:

- dangerous electric charging of the work piece
- back-spray onto spray gun and user
- uneven coating
- very bad wrap around



Warning

Sparks between conveyor, conveyor hooks (hangers) and work piece can occur if electric contact points between conveyor, conveyor hooks (hangers) and work piece are not sufficiently cleaned and therefore the work pieces are not sufficiently grounded!

These sparks can cause heavy radio frequency interference.

3. Working with the spray guns

3.1 Optimize the spray pattern

0301_Pulverwolke_peat.doc

- Switch on the powder feed.



Caution

To minimize the wear on the consumables, the total feed air and dosage air must give the following values:

- for powder hose with an inner diameter of 11 mm: between **3.5 and 5 Nm³/h**
- for powder hose with an inner diameter of 12 mm: between **4.5 and 6 Nm³/h**

The total feed air; dosage air and Tribo air should not exceed **7.5 Nm³/h!**

- First open the atomizing air so that powder deposits are cleared from the deflector cone.

You can alter the size of the spray pattern during powdering by adjusting the atomizing air.

- Adjust the powder volume and the powder speed on a test piece.
- The Tribo air should only be opened far enough to attain a Tribo current indication of approx. 3 μ A.



Caution

Tribo air **must** be reduced or shut off if the Tribo current (charging current) exceeds 3.5 μ A!

The charging current depends on the type of powder used and should be between 2.5 and 3.5 μ A under ideal circumstances.

3.2 Switching off the spray gun

0302_Ausschalten_peat.doc

The spray gun is switched off differently depending on the type of powder injector. In the majority of cases this process is performed by a control unit of the coating system.



Hint

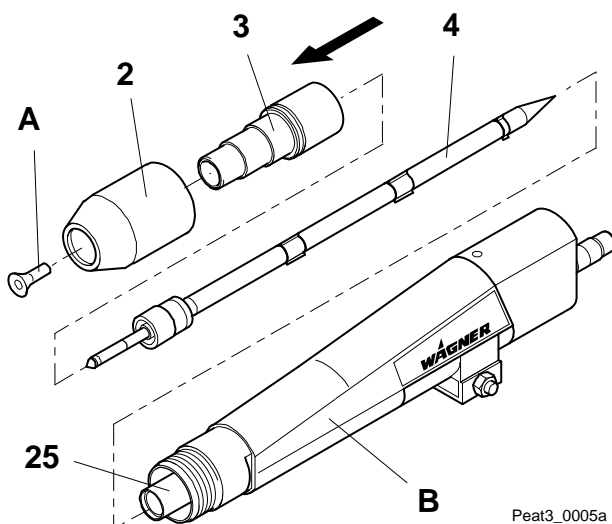
On each interruption to work, the spray gun should be blown through (purged) and powder residue removed. In this way **powder deposits** and a **surge** the next time the spray gun is switched on can be largely avoided.

If you want to manually switch off the spray gun and are using a powder injector that is **not designed** for automatic purging, proceed as follows:

- The atomizing air **must** be left open so that **no powder** can enter the atomizing air ducts during purging. Switch off the powder feed.
- If you do not want to change the settings for the feed air and dosage air so that you can continue to coat using the same powder pattern, pull the powder injector out of the injector connection on the powder container. No more powder will be fed when the powder feed is switched back on.
- Switch the powder feedback on so that the spray gun is blown clear of powder.
- Finally, switch the powder feed and the high-voltage generator back off and secure against inadvertent switching on.

3.3 Carrying out a change of color

All parts carrying powder in the entire coating system **must** be **thoroughly** cleaned of powder deposits on a change of color. In the following, only the procedure for the spray gun is described.



- Flush the gun manually and remove all powder residues.
- Switch off the powder feed and secure it against inadvertent switch on.
- Pull off the deflector cone **A** from the charging body **4**.
- Unscrew the outer nut **2** from the gun housing **B**.
- Carefully pull the nozzle body **3** and the charging body **4** out of the powder tube **25**.



Caution

Ensure in particular that none of the charging body's components are damaged when removing and replacing the wear parts!

- Clean the parts, which have been dismantled, and the spray gun from powder deposits.
- Carefully re-fit the charging body **4** and the nozzle body **3** in the powder tube **25** and tighten it up with the outer nut **2**.
- Slide the deflector cone **A** onto the charging body **4** again.

The spray gun is again ready for operation.

4. Maintenance and cleaning

4.1 Replacing the spray gun

0401_.doc

Before you commence the replacement of the spray gun any powder residue **must** be removed **thoroughly**.

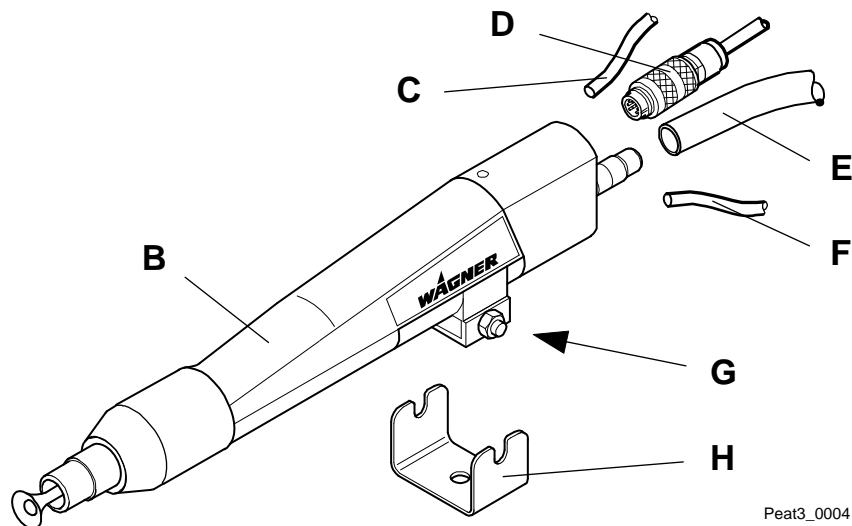


Caution

Repair or replacement of the spray gun or parts of the spray gun is only allowed to be performed outside the hazard area and in a suitable place by specialist personnel!

The wearing parts in the spray gun, marked in the spare parts list with *, must be regularly checked and, if necessary replaced.

0401_Peat3_Ausbauen.doc



Peat3_0004

- Switch off the system.
- Disconnect the electrical cable **D** from the spray gun **B**.
- Disconnect the hoses for powder feed **E**, atomizing air **C** and Tribo air **F** from the spray gun **B**.
- Undo the locking nut **G** and disconnect the spray gun **B** from the support **H**.
- Exchange the spray gun for a new one and assemble it in reverse order.

4.2 Cleaning the spray gun and replace the wear parts



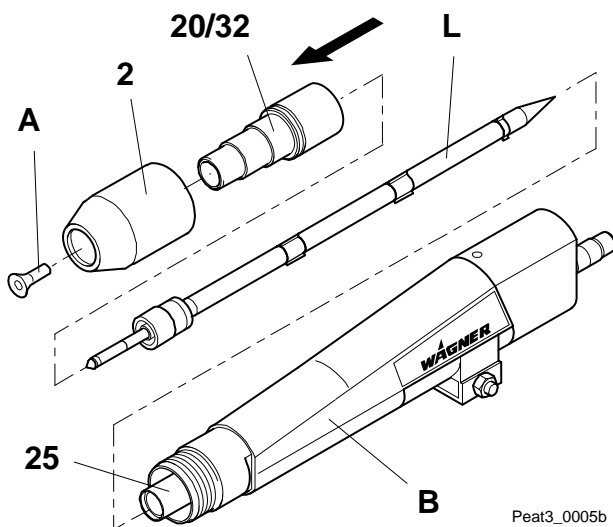
Caution

Never place the spray gun or parts of it into any wet cleaning agent!

While pulling out and replacing the wearing parts make sure that the parts of the charging body are not damaged!

4.2.1 Replacing the charging body

0402_Peat3_Verschleiss.doc

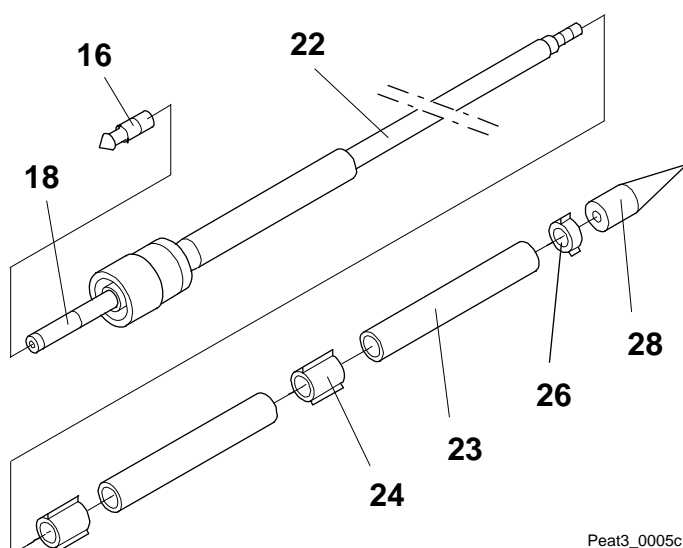


Peat3_0005b

- Pull the deflector cone **A** off the charging body **L**.
- Unscrew the outer nut **2** from the gun housing **B**.
- Pull the nozzle body **20/32** off the powder tube **25**.
- Carefully extract the charging body **L** out of the powder tube **25**.
- Check the removed parts for wear. The **entire** charging body can be replaced with a **new** one during this procedure.

0402_Peat_Verschleiss.doc

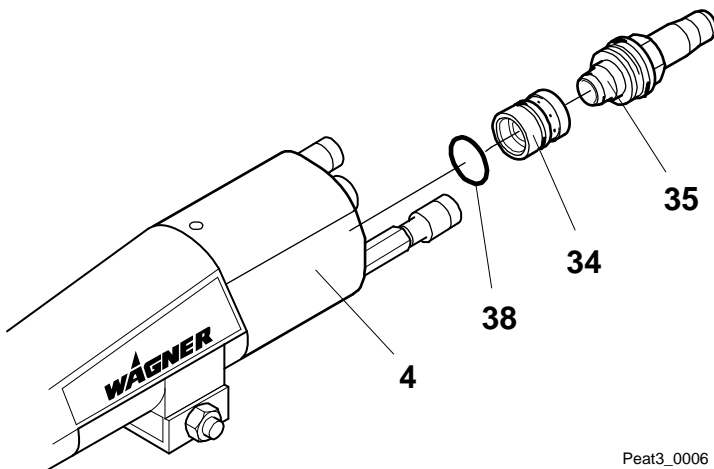
It is also possible to dismantle the charging body and merely replace the parts affected by wear.



Peat3_0005c

- Unscrew the tip **28** from the threaded bar **22**.
 - Carefully pull the parts **24** to **26** off the threaded rod **22**.
 - As a rule you only need to check the parts **24** to **26** for wear and replace them as necessary.
 - Clean all parts that have **not** been subject to wear.
 - Unscrew the air nozzle **16** from the deflector cone rod **18** if worn and replace it with a **new** one.
 - Reassemble the charging body **L** and carefully push it into powder tube **25**.
- Carefully push the nozzle body **20/32** over the powder tube **25** and tighten on the gun housing **B** using the outer nut **2**.
 - Slide the deflector cone **A** back over the charging body **L**.

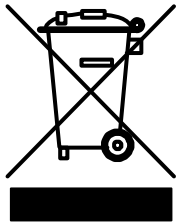
4.2.2 Replacing the air manifold



- Loosen the hose socket **35** and turn the air manifold **34** and O-ring **38** carefully out of the connection cover **4**.
- Pull the air manifold **34** and O-ring **38** off the hose socket **35** and replace both with new parts if necessary.
- Push the new air manifold **34** and O-ring **38** onto the hose socket again **35**.
- Turn the new parts **35**, **34** and **38** into the connection cover **4**.

4.3 Disposal

04_Entsorgung.doc



Only for EU countries

Do not dispose of electric tools together with household waste material!

In observance of the European Directive 2002/96/EG on waste electrical and electronic equipment and implementation in accordance with national law, this product is not to be disposed of together with household waste material but must be recycled in an environmentally friendly way!

Wagner or one of our dealers will take back your used Wagner waste electrical or electronic equipment and will dispose of it for you in an environmentally friendly way. Please ask your local Wagner service center or dealer for details or contact us direct.

5. Rectification of malfunctions

05_Stoerung_T3.doc

Malfunction	Cause	Rectification
No Tribo current (e.g. no wrap-around or no powder adhesion)	<ul style="list-style-type: none"> - Inadequate or no powder charging. - Electrical cable from spray gun to control unit faulty. - Tribo current measuring or display module defective. - Powder-conveying parts in spray gun worn. 	<ul style="list-style-type: none"> - Contact Wagner Service. - Replace electrical cable. - Contact Wagner Service. - Replace worn parts.
Poor wrap around Back spray	<ul style="list-style-type: none"> - Inadequate or no ground. 	<ul style="list-style-type: none"> - See chapter "Grounding".
Powder outlet uneven or inadequate	<ul style="list-style-type: none"> - Soiling. - Powder sintering or powder-conveying parts in spray gun worn. - Feed device soiled. - Feed air / dosage air ratio incorrect. - Wear on powder injector nozzle. 	<ul style="list-style-type: none"> - Blow through parts carrying powder. - Clean parts carrying powder and replace if necessary.. - See operating instructions for the related devices connected. - Adjust at control module or control unit. - Replace worn parts in the powder injector 1.)
Spray pattern is uneven	<ul style="list-style-type: none"> - Parts of nozzle system worn. 	<ul style="list-style-type: none"> - Replace worn parts.

1.) You will find the wearing parts and spare parts in the operating instructions for the powder injector.

6. Technical data

Weight: 900 g

06_Tribopistolendaten.doc

Electrical:

Design: as per EN 50177 and EN 50050

Protection class: IP 54

Pneumatic:

Input air pressure (Tribo air): max. 43.5 psi (3 bar)

Powder output quantity: max. 300 g/min

06_.doc

Required compressed air quality:

Quality class	Compressed air quality according to ISO 8573.1	
5	Max. residual water: (pressure dew point in °F at 100 psi / °C at 700 kPa)	+44.6 °F / +7 °C
2	Max. oil contents:	0.1 mg oil/m ³ / 0.1 oz/ft ³
3	Max. concentration:	5 mg/m ³ / 5 oz/ft ³
3	Max. particle size:	5 μm / 5 microns

Ambient conditions:

If low temperature powders are used, the ambient temperature may have to be lower than 86 °F (30 °C).



Volume measures:

For volumes, specified in Nm³ (standard cubic meters). One cubic meter of a gas at 32 °F (0 °C) and 1.013 bar is called norm cubic meter.

1 Nm³/h = 35.3 ft³/h; 1 bar = 14.504 psi

7. Warranty

08_.doc

What is covered by this warranty?

Faulty or defective parts are replaced according to our general delivery conditions.

Within the applicable warrant period, Wagner will repair or replace, at our option, defective parts without charge if such parts are returned with transportation charges prepaid to the nearest authorized service center. If Wagner is unable to repair this product so as to conform to this Limited Warranty after a reasonable number of attempts, Wagner will provide, at our option, either a replacement for this product or a full refund of the purchase price of this product.

These remedies are the sole and exclusive remedies available for breach of express and implied warranties.

What is not covered by this warranty?

This warranty does not cover any of the following damages or defects:

1. Damages or defects caused by use or installation of repair or replacement parts or accessories not manufactured by Wagner,
2. Damages or defects caused by repair performed by anyone other than a Wagner authorized service center, or
3. Damages or defects caused by or related to abrasion, corrosion, abuse, misuse, negligence, accident, normal wear, faulty installation or tampering in a manner which impairs normal operation.

Limitation of remedies:

IN NO CASE SHALL WAGNER BE LIABLE FOR ANY INCIDENTAL, SPECIAL OR CONSEQUENTIAL DAMAGES OR LOSS, INCLUDING TRANSPORTATION COSTS, WHETHER SUCH DAMAGES ARE BASED UPON A BREACH OF EXPRESS OR IMPLIED WARRANTIES, BREACH OF CONTRACT, NEGLIGENCE, STRICT TORT, OR ANY OTHER LEGAL THEORY.

Disclaimer of implied warranties:

THE FOREGOING WARRANTIES ARE IN LIEU OF ALL OTHER WARRANTIES, EXPRESS OR IMPLIED, INCLUDING BUT NOT LIMITED TO THE IMPLIED WARRANTIES OF MERCHANTABILITY AND FITNESS FOR A PARTICULAR PURPOSE.

No ability to transfer:

This warranty is extended to the original purchaser only and is not transferable.

Your rights under state law:

Some states do not allow limitations on how long an implied warranty lasts or the exclusion of incidental or consequential damages, so the above limitation and exclusion may not apply to you. This warranty gives you specific legal rights; you may also be entitled to other rights, which vary from state to state.

8. Scope of delivery and spare parts lists

8.1 How to order

0901_.doc

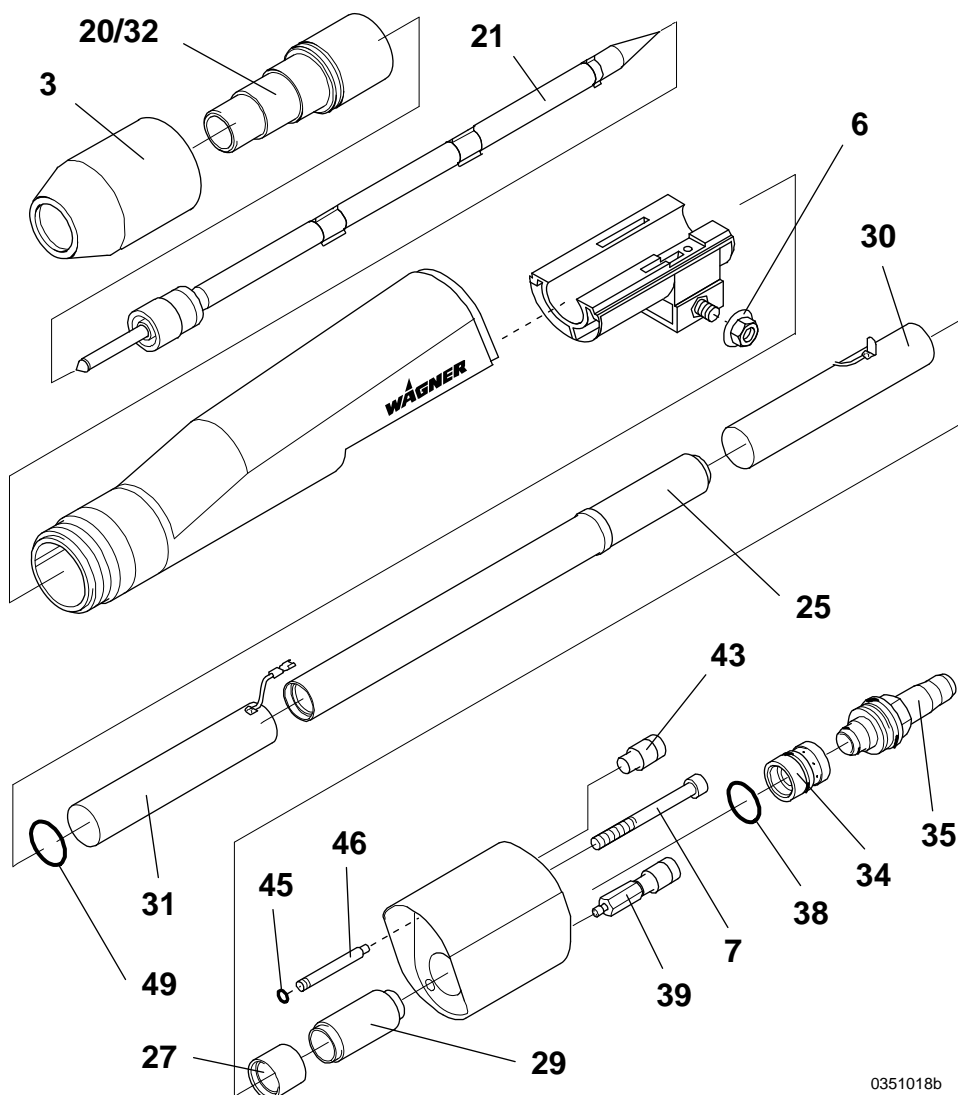
Faulty and unserviceable parts are replaced in accordance with our General Terms and Conditions of Delivery.

In order to be able to guarantee safe and smooth spare parts delivery, the following information is necessary:

- **Invoicing address**
- **Delivery address**
- **Name of contact persons for check back**
- **Type of delivery**
- **Quantity ordered, article number and designation**

8.2 Scope of delivery and spare parts list of the PEA-T3 automatic gun

351018b



0351018b

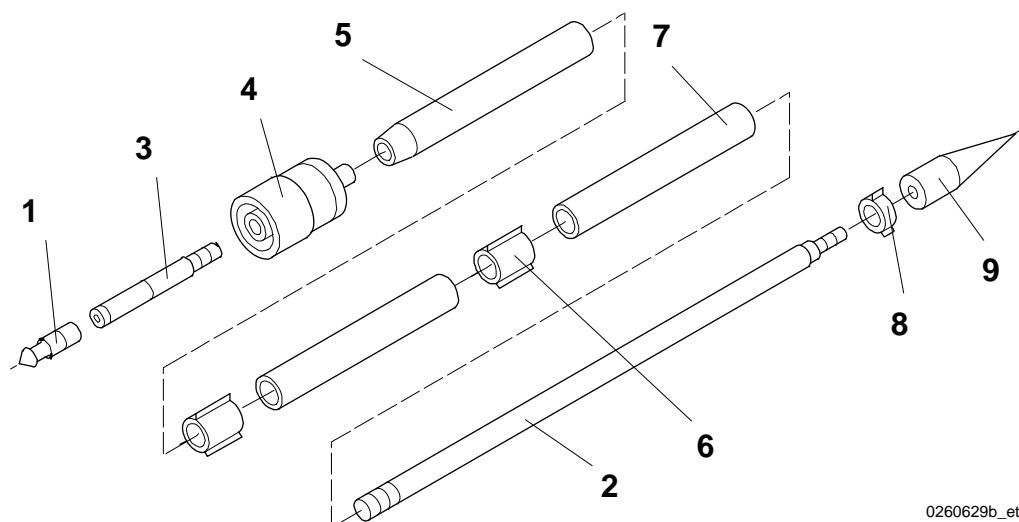
Item	Article No.	Designation
--	351018	PEA-T3 spray gun
3	351654	Tribo outer nut ET
6	9913028	Lock nut
7	9907024	Fillister head cap screw
20	351569 *	PEA-T2 nozzle body
21	260629 *	Charging body (complete)
25	259459 *	Powder tube
27	260468 *	Contact tube
29	259463 *	Intermediate tube
30	259473	Grounding tube
31	260465	Spacing tube (complete)

Item	Article No.	Designation
32	9974047 *	O-ring 32x2
34	260461 *	Air manifold
35	260462 *	Hose socket
38	9971333 *	O-ring 18x1.5
39	351656 *	Non-return valve
43	9999057	Straight plug connector
45	9974056	O-ring 3x1.2
46	351330 *	Connecting tube
49	9971196 *	O-ring 21x1.5

* Wearing part

8.3 Spare parts list of the charging body

260629b



0260629b_et

Item	Article No.	Quantity
--	260629 *	Charging body (complete)
1	260632 *	Air nozzle (complete)
2	260473	Threaded bar
3	260469 *	Deflector cone rod
4	260463 *	Central air supply
5	260470 *	Rod
6	260476 *	Support ring
7	260471 *	Charging tube
8	260474 *	Ring
9	260472 *	Tip

* Wearing part

9. Accessories

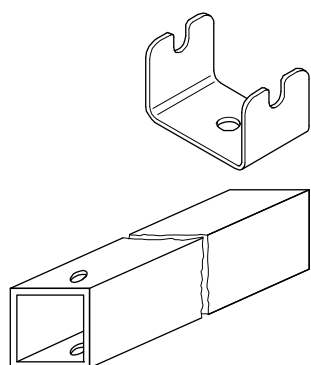
9.1 Electrical cables and hoses

10_00008

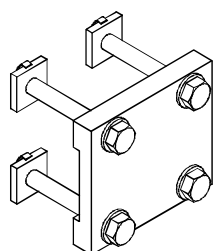
Article No.	Designation	Application
351297	PEA-T2 electrical cable 5 m	For connecting the spray gun to the Tribo current measuring or display module
351296	PEA-T2 electrical cable 10 m	
351295	PEA-T2 electrical cable 20 m	
9987081	Special hose (inside \varnothing 11 mm)	For the powder feed
9987082	Special hose (inside \varnothing 12 mm)	
9982079	Hose 6x1, black	Connection of the atomizing air
9982061	Hose 6x1, blue	Connection of the Tribo air

9.2 Spray gun mounting and fastening

10_00002



Article No.	Designation
351347	Hanger: for fastening the spray gun
260215	Spray gun mount: for fastening the hanger to the reciprocator

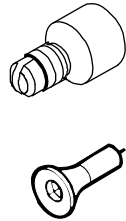


Article No.	Designation
365201	Clamp: For fasten the powder spray gun 260215

9.3 Nozzle systems

9.3.1 Fan nozzle and deflector cone

10_0009

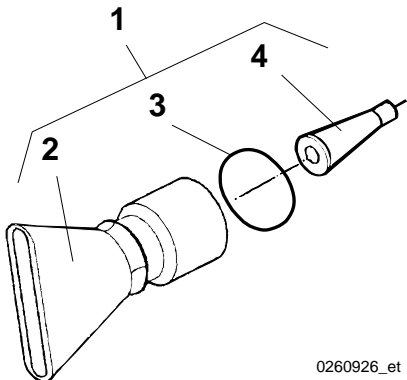


Article No.	Designation
260928 *	Fan nozzle
260267 *	Tribo deflector cone Ø18
260266 *	Tribo deflector cone Ø25
260268 *	Tribo deflector cone Ø32

* Wearing part

9.3.2 Wide fan spray nozzle

260926



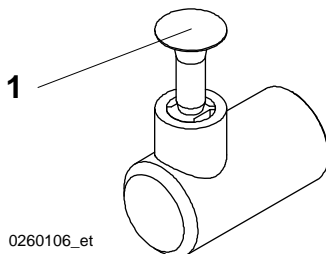
0260926_et

Item	Article No.	Designation
1	260926 *	Wide fan spray nozzle **
2	260280 *	Wide fan spray nozzle
3	9971037 *	O-ring 22x1.5
4	260627 *	Deflector cone Ø13

* Wearing part
 ** only available as a set

9.3.3 90° Angle nozzle

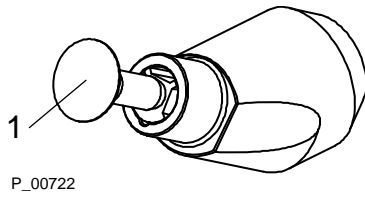
260106



0260106_et

Item	Article No.	Designation
--	260106 *	90° Angle nozzle **
1	259474 *	Deflector cone (Ø22)

* Wearing part
 ** only available as a set

9.3.4 WA 30 T3 Angle adapter

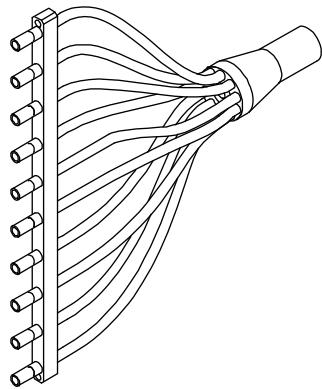
Item	Art. No.	Designation
--	260933 **	WA 30 T3 Tribo Angle adapter
1	259474 *	Deflector cone (Ø22)

* Wearing part

** Only available as a set

9.3.5 Finger nozzles

10_00010



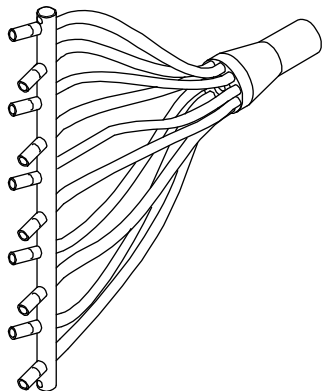
Article No.

Designation

260638

Finger nozzle x 10:

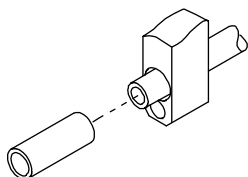
For uniform coat thickness when coating flat surfaces



260641

Crossed finger nozzles x 10:

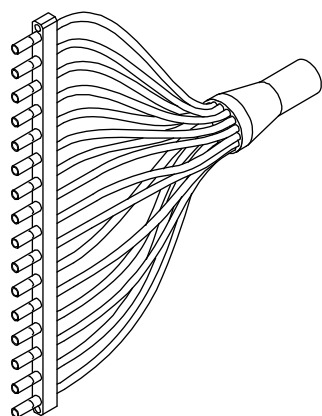
For uniform coat thickness when coating complicated profiles



260518 *

Nozzle Ø10:

Standard nozzle in the finger nozzle x 10 and crossed finger nozzle x 10

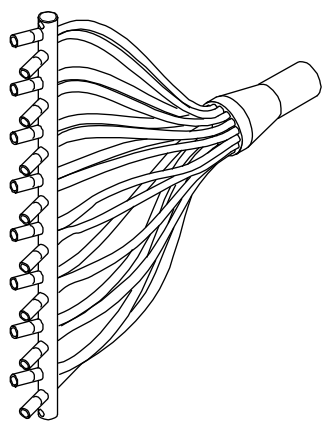


260637

Finger nozzles x 16:

For uniform coat thickness when coating flat surfaces and a reduced stripe formation (relative to the finger nozzle x 10)

* Wearing part



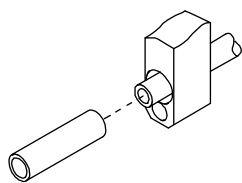
Article No.

Designation

260642

Crossed finger nozzles x 16:

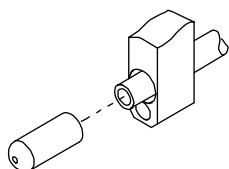
For uniform coat thickness when coating complicated profiles and a reduced stripe formation (relative to the finger nozzle x 10)



260519 *

Nozzle \varnothing 8:

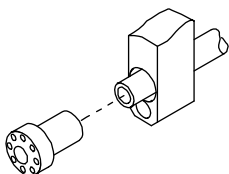
Standard nozzle in the 16 x finger nozzle and 16 x crossed finger nozzle



260505 *

Round nozzle \varnothing 2.3:

The round nozzle generates a concentrated spray and is suitable for spraying in corners, holes, recesses, etc.



260504 *

Powder shower:

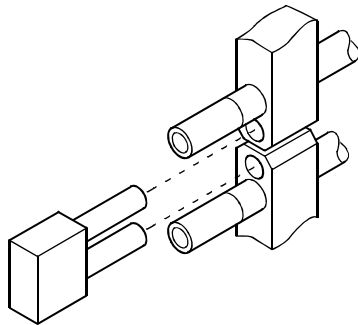
The powder shower generates an extremely fine spray and is suitable for flat surfaces.

* Wearing part

Connect the finger nozzles to the associated adapters to stabilize them if you have equipped several spray guns with a finger nozzle and mounted the guns above each other on the reciprocator.

These adapters are described below:

10_00011



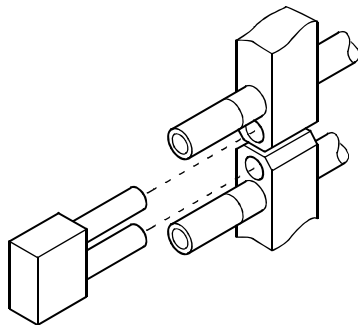
Article No.

Designation

260639

Adapter:

For connecting and stabilizing several finger nozzles **10 x**



260648

Adapter:

For connecting and stabilizing several finger nozzles **16 x**

Germany

J. WAGNER GmbH
Otto-Lilienthal-Str. 18
D-88677 Markdorf

Phone: +49/ 7544/ 505-0
Fax: +49/ 7544/ 505-200
E-mail: service.standard@wagner-group.com

Switzerland

J. WAGNER AG
Postfach 109
Industriestrasse 22
CH-9450 Altstätten

Phone: +41/ 71/ 757 2211
Fax: +41/ 71/ 757 2222
E-mail: rep-ch@wagner-group.ch

Austria

J. WAGNER GmbH
Otto-Lilienthal-Str. 18
Postfach 1120
D- 88677 Markdorf

Phone: +49/ 7544/ 505-0
Fax: +49/ 7544/ 505-200
E-mail: service.standard@wagner-group.com

Netherlands

WAGNER Systemen Nederland
Proostwetering 105 C
NL- 3543 AC Utrecht

Phone: +31/ 30/ 2410 688
Fax: +31/ 30/ 2410 765
E-mail: info@wagnersystemen.nl

Belgium

Estee Industries
Leenbeekstraat 9
B- 9770 Kruishoutem

Phone: +32/ 9/ 388 5410
Fax: +32/ 9/ 388 5440
E-mail: info@estee-industries.com

Denmark

WAGNER Industrial Solution Scandinavia
Viborgvej 100, Skægkær
DK-8600 SILKEBORG

Phone: +45/ 70 200 245
Fax: +45/ 86 856 027
E-mail: info@wagner-industri.com

Sweden

WAGNER Industrial Solutions Scandinavia
Skolgatan 61
SE - 568 31 SKILLINGARYD

Phone: +46/ 370/ 798 30
Fax: +46/ 370/ 798 48
E-mail: info@wagner-industri.com

Great Britain

WAGNER Spraytech (UK) Ltd.
The Coach House
2, Main Road
GB- Middleton Cheney OX17 2ND

Phone: +44/ 1295/ 714200
Fax: +44/ 1295/ 710100
E-mail: enquiry@wagnerspraytech.co.uk

USA

WAGNER Systems Inc.
300 Airport Road, Unit 1
Elgin, IL 60123

Phone: +1/ 630/ 503-2400
Fax: +1/ 630/ 503-2377
E-mail: info@wagnersystemsinc.com

Japan

WAGNER- HOSOKAWA Micron Ltd.
No. 9, 1-Chome
Shodal Tajka, Hirakata-Shi
Osaka 673-1132

Phone: +81/ 728/ 566 751
Fax: +81/ 728/ 573 722
E-mail: sempara@kornet.net

China

WAGNER Spraytech Shanghai Co Ltd.
4 th Flr. No. 395 Jiangchanxi Road
Shibei Industrial Zone
Shanghai 200436

Phone: +86/ 2166 5221 858
Fax: +86/ 2166 5298 19
E-mail: wagnersh@public8.sta.net.cn

France

Wagner - Division Solutions Industrielles
Parc Gutenberg - Bâtiment F
8 voie la Cardon
F- 91127 PALAISEAU Cedex

Phone: +33/ 1/ 825/ 011111
Fax: +33/ 1/ 69 19 46 55
E-mail: division.solutionsindustrielles@wagner-france.fr

Italy

WAGNER Itep S.p.A.
Via Santa Vecchia, 109
I-22049 Valmadrera - LC

Phone: +39/ 0341/ 212211
Fax: +39/ 0341/ 210200
E-mail: wagnerit@tin.it

Spain

WAGNER Spraytech Iberia S.A.
P.O. Boc., 132, Ctra. N- 340, KM 1245,4
E-08750 Molins de Rei (Barcelona)

Phone: +34/ 93/ 680 0028
Fax: +34/ 93/ 680 0555
E-mail: info@wagnerspain.com